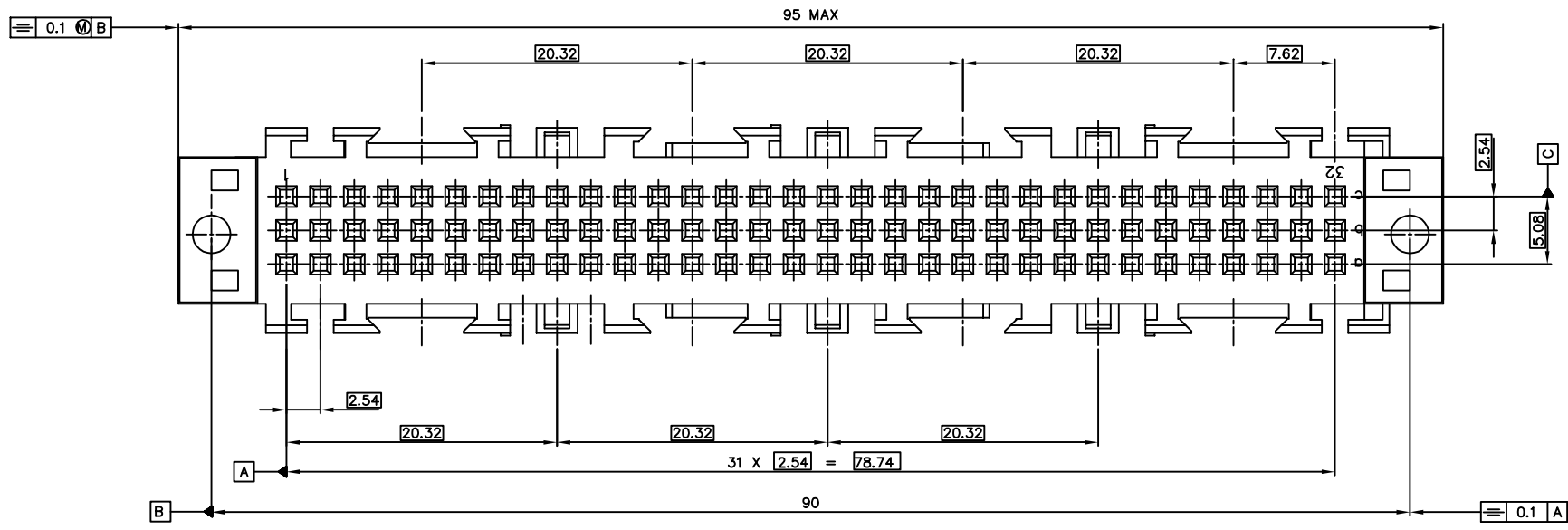
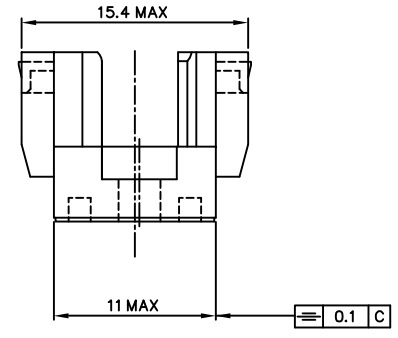
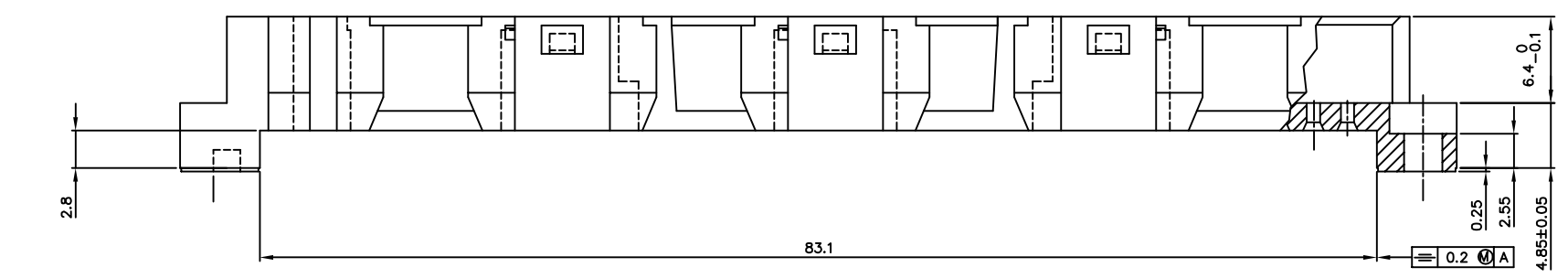
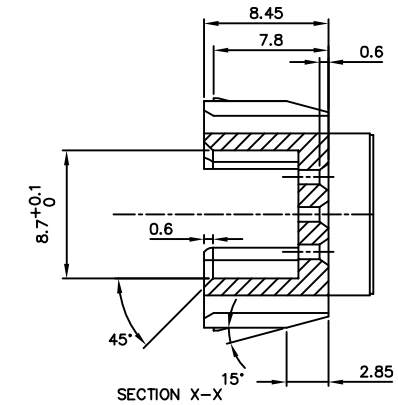
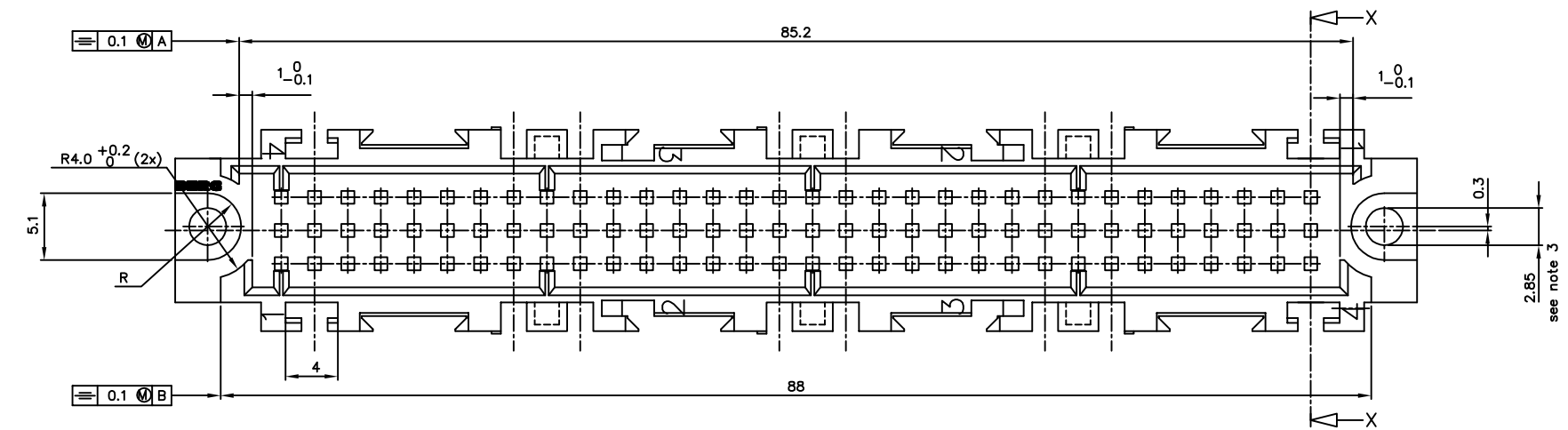


Product number	Remarks
85344-001	With notches
85344-002	Without notches



NOTES:-

- THIS PRODUCT MEETS EUROPEAN UNION DIRECTIVES AND OTHER COUNTRY REGULATIONS AS DESCRIBED IN GS-22-008.
- LEADFREE OR RoHS DIRECTIVE LABELLING TO BE PROVIDED AS PER GS-14-920.
- " LF " SUFFIX TO PRODUCT NUMBER FOR RoHS COMPATIBLE/ LEADFREE VERSION.
- PARTS WITH AND WITHOUT " LF " SUFFIX ARE FORM-FIT AND FUNCTIONALLY IDENTICAL. " LF " SUFFIX PROVIDED FOR PART NUMBER STANDARDISATION OF PART THAT MEETS RoHS REQUIREMENTS.
- Product with or without modular frame walls (notches), for product number see table
- Material: PBT thermoplastic polyester 30% glass filled flame retardant per UL-94-V0
- Max torque of 20 Ncm allowed on M2.5 bolt through mounting ears, if not used in combination with metal shield part number 85350-001

mat'l. code	surface	tolerance	projection	product family
SEE NOTE	ISO 1302	ISO 406 ISO 1101		BACKPANEL
ltr ecn no dr date	tolerances unless otherwise specified	angles linear	mm	title
C H50508 RVI 1995-09-08			mm	3x32 SHROUD WITH LATCH FRAME
D F00406 LLA 2000-05-22			scale -	
E I05-0123 MINI 2005-07-27				
F I05-0248 MINI 2005-11-22	dr	D.LEGRAND 2000-10-10		dwg no sheet 1 of 1 size
G I06-0083 MINI 2006-06-01	enr	J.F.NOTTEAU 2000-10-10		85344 A3
	chr	RAKHEE GEORGE 2006-06-01		type Product Customer Drawing
	appd	RAKHEE GEORGE 2006-06-01		
sheet index	revision sheet	G 1		

Copyright FCI
 FCIconnect.com